

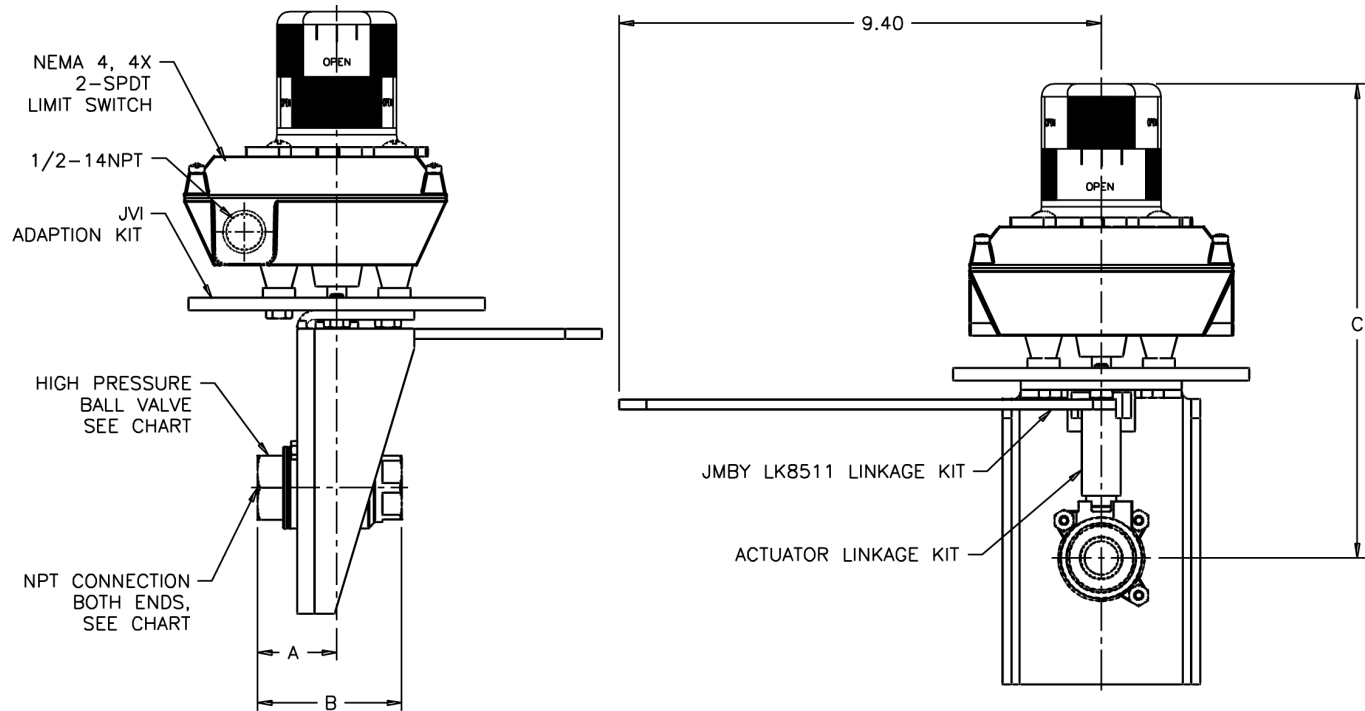
CO₂ Component Description

Lock-Out Valve, Stainless Steel (with Limit Switch)

Effective: November 2016
K-81-1410

FEATURES

- For High Pressure CO₂ service with UL Listed, ULC Listed and FM Approved Systems
- See Kidde® Manual 220610 for USCG Approval



Ordering Information

Valve Size	ASSY P/N	Ball Valve P/N	Dimensions			Approx. WT (lb)
			A	B	C	
1/4"	10611106	10611004	1.55	2.73	9.25	7
1/2"	10611107	10611100	1.55	2.73	9.25	7
3/4"	10611108	10611101	1.92	3.50	9.25	8
1"	10611109	10611099	1.92	3.60	9.25	9
1 1/4"	10611110	10611102	2.10	3.93	9.85	10
1 1/2"	10611111	10611098	2.47	4.55	10.05	12
2"	10611112	10611103	2.66	4.94	10.25	12

MATERIALS

- **Body:** Stainless Steel, 316
- **Cap, Body:** Stainless Steel, 316
- **Ball:** Stainless Steel, 316
- **Stem:** Stainless Steel, 17-4PH

Working Pressure:

- 4500-psig (0.25" - 1.00")
- 3000-psig (1.25" - 2.00")

End Connection:

- FE x FE, NPT

Limit Switch:

- 2 x SPDT, Form C
- 15A, 125/250 Vac
- 6A, 24Vdc
- 0.50A, 125 Vdc
- 0.25A, 250 Vdc

Reference Data Sheets:

- K-81-1400 (w/o LS)
- K-81-1420 (fitted with explosion-proof LS)
- K-81-1310 (carbon steel variant)

EXPORT INFORMATION (USA)

Jurisdiction: EAR

Classification: EAR99

This document contains technical data subject to the EAR.

All trademarks are the property of their respective owners.

This literature is provided for informational purposes only. Kidde-Fenwal, Inc. assumes no responsibility for the product's suitability for a particular application. The product must be properly applied to work correctly. The technical data contained herein is limited strictly for informational purposes only. Kidde-Fenwal, Inc. believes this data to be accurate, but it is published and presented without any guarantee or warranty whatsoever. If you need more information on this product, or if you have a particular problem or question, contact Kidde-Fenwal, Inc.

